

Eaton® Walterscheid® 45° Adjustable Male Stud Tapered Body



Eaton Walterscheid broadens its product portfolio with a full line of 45° adjustable male stud tapered bodies that meet DIN 2353 and ISO 8434-1 standards. These fittings are engineered to deliver the best not only in performance, but also in ease of installation. Additionally, as part of the Walterscheid heritage, you are assured of the highest quality leak free solutions in the industry.



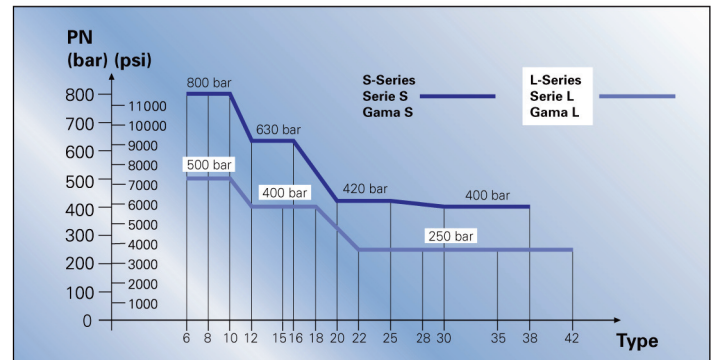
The Performance Factor:

- Meets or exceeds all DIN 2353 and ISO 8434-1 operating and performance standards
- Pressure capabilities up to 800 bar in the Series-S and 500 bar in the Series-L (a 4 to 1 safety factor is followed)
- Zinc hexavalent chromium-free plating is the standard
- Industry standard dimensions
- Adjustable 45° connection

Benefits:

- Consistent and reliable performance
- “Best in Class” pressure and safety ratings
- Superior corrosion protection that meets and/ or exceeds global environmental and regulatory standards
- Conversion to the Walterscheid product is easy
- Speeds production time by reducing pipe bend and positioning requirements and provides maximum design flexibility

Nominal Pressure:



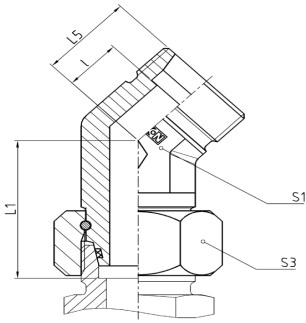
EATON

Powering Business Worldwide

Technical Specifications

45° Adjustable Male Stud Tapered Body with O-Ring

(EWSD 45° with taper and O-ring NBR* (e. g. Perbunan))



Series	PN	Tube OD	Type	Reference	L1	L5	I	S1	S3	
L	500	6	EWSD-45 6 L A3L	WAL625761	26,0	16,0	9,0	14	17	
		8	EWSD-45 8 L A3L	WAL625762	27,5	19,0	12,0	14	17	
		10	EWSD-45 10 L A3L	WAL625763	29,0	19,0	12,0	19	19	
	400	12	EWSD-45 12 L A3L	WAL625764	29,5	21,0	14,0	19	22	
		15	EWSD-45 15 L A3L	WAL625765	32,5	24,0	17,0	22	27	
		18	EWSD-45 18 L A3L	WAL625766	35,5	24,0	16,5	27	32	
	250	22	EWSD-45 22 L A3L	WAL625767	38,5	26,5	18,5	30	36	
		28	EWSD-45 28 L A3L	WAL625768	41,5	30,5	23,0	36	46	
		35	EWSD-45 35 L A3L	WAL625769	51,0	37,0	26,5	50	50	
	S	800	42	EWSD-45 42 L A3L	WAL625770	56,0	37,0	26,0	50	60
			6	EWSD-45 6 S A3L	WAL625771	27,0	16,0	9,0	14	17
			8	EWSD-45 8 S A3L	WAL625772	27,5	19,0	12,0	19	19
630		10	EWSD-45 10 S A3L	WAL625773	30,0	21,0	13,5	19	22	
		12	EWSD-45 12 S A3L	WAL625774	31,0	24,0	16,5	22	24	
		16	EWSD-45 16 S A3L	WAL625775	36,5	24,0	15,5	27	30	
420		20	EWSD-45 20 S A3L	WAL625776	44,5	26,5	16,0	30	36	
		25	EWSD-45 25 S A3L	WAL625777	50,5	30,5	18,5	36	46	
400	30	EWSD-45 30 S A3L	WAL625778	55,0	37,0	23,5	50	50		
	38	EWSD-45 38 S A3L	WAL625779	63,0	37,0	21,0	50	60		



available at:

info@atphydraulik.ch

www.atphydraulik.ch

Eaton
Eaton Germany GmbH
Plant Lohmar, Walterscheid
Tel.: +49(0)2246123602

Eaton
Hydraulics Group USA
14615 Lone Oak Road
Eden Prairie, MN 55344
USA
Tel: 952-937-9800
Fax: 952-294-7722
www.eaton.com/hydraulics

Eaton
Hydraulics Group Europe
Route de la Longeraie 7
1110 Morges
Switzerland
Tel: +41 (0) 21 811 4600
Fax: +41 (0) 21 811 4601

Eaton
Hydraulics Group Asia Pacific
Eaton Building
4th Floor, No. 3 Lane 280 Linhong Rd.
Changning District
Shanghai 200335
China
Tel: (+86 21) 5200 0099
Fax: (+86 21) 5200 0400