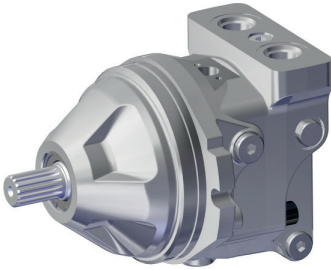


MSI2C45



- ▶ 9 piston design
- ▶ High starting torque
- ▶ 2-speed motor with :
 - a large displacement of 2.75 cu.in (45 cc/rev)
 - a small displacement 1.04 cu.in (17 cc/rev)
 - a ratio of max. 1:3.
- ▶ On request, small and large displacements can be factory set :
 - small displacement : 1.04 to 2.14 cu.in (17 to 35 cc/rev)
 - large displacement : 2.50 to 3 cu.in (41 to 49 cc/rev)

- ▶ Pilot pressure to switch displacement from 218 to 1015 psi (15 to 70 bar).
- ▶ Maximum pressure of 73 psi (5 bar) in the housing (whatever the shaft speed).
- ▶ Working temperature allowed : -13 to 239 °F (-25 to 115°C).
- ▶ Open and closed circuit.
- ▶ Semi-integrated cartridge flange, pilot diameter of 5.31 in (135 mm).

▶ characteristics and performance :

Motor model	Displacement		Max. continuous speed (1)		Max. Intermittent speed (1)		Max. absorbed flow		Torque		Torque at 4350 psi (300 bar)		Theoretical maximum power at 5076 psi (350 bar)		Max. allowable pressure continuous / peak		Weight (kg)	
		cu.in/rev	cc/rev	rpm	rpm	gpm	l/mn	lbf.ft/psi	N.m/bar	lbf ft	N.m	HP	kW	psi	bar	lbs	Kg	
MSI2C45	Max.	2.75	45	3500	3900	41.7	158	0.036	0.72	159	216	123.3	92	5076 / 5800	350 / 400	38.2	17.3	
	Min.	1.04	17	4500	5050	20.2	76.5	0.014	0.27	59.8	81	59.8	44.6	5076 / 5800	350 / 400	38.2	17.3	

(1) For higher speeds, please contact us.

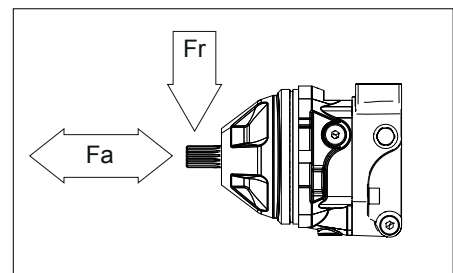
▶ Acceptable forces applied to motor shaft

Motor model	45	
Fr	lbf	338
	N	1500
Fa	lbf	563
	N	2500

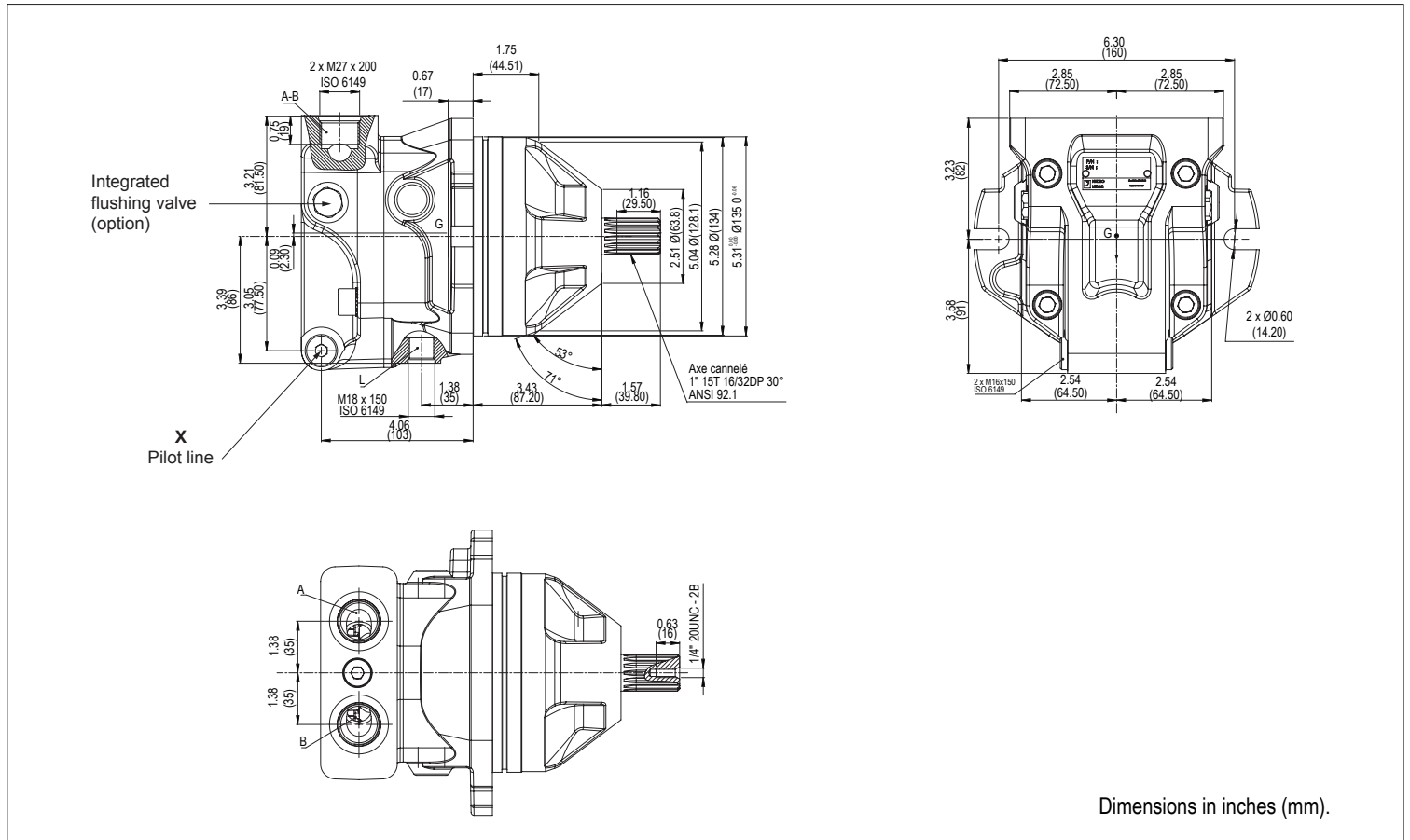
Fr: radial force measured at mid point of length of shaft.

Fa: axial force.

For other forces, please contact us.

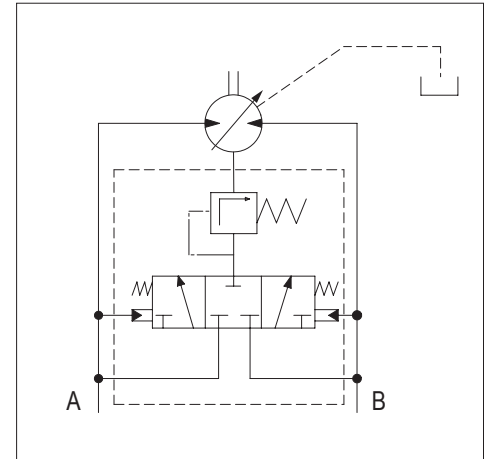


► Dimensions :



► Options available on request :

- Integrated flushing valve (different flows available, please consult).
- Speed sensor.



For further information, please feel free to contact our Technical Department.
 Hervé COLIN - Tel : +33(0)3 83 76 05 37 - hcolin@hydroleduc.com



www.hydroleduc.com



HYDRO LEDUC SAS
 Siège social & Usine
 Head Office and Factory
 BP 9
 F-54122 AZERAILLES
 FRANCE
 Tel. +33 (0)3 83 76 77 40
 Fax +33 (0)3 83 75 21 58

HYDRO LEDUC GmbH
 Am Ziegelplatz 20
 D-77746 SCHUTTERWALD
 DEUTSCHLAND
 Tel. +49 (0) 781-9482590
 Fax + 49 (0) 781-9482592

HYDRO LEDUC AB
 Betongvägen 11
 461 38 TROLLHÄTTEN
 SWEDEN
 Tel. + 46 (0) 520 10 820

HYDRO LEDUC BV
 Ericssonstraat 2
 5121 ML RIJEN
 The Netherlands
 Tel. +31 6 202 40 651

HYDRO LEDUC N.A. Inc.
 19416 Park Row - Suite 170
 HOUSTON, TEXAS 77084
 USA
 Tel. +1 281 679 9654
 Fax +1 832 321 3553